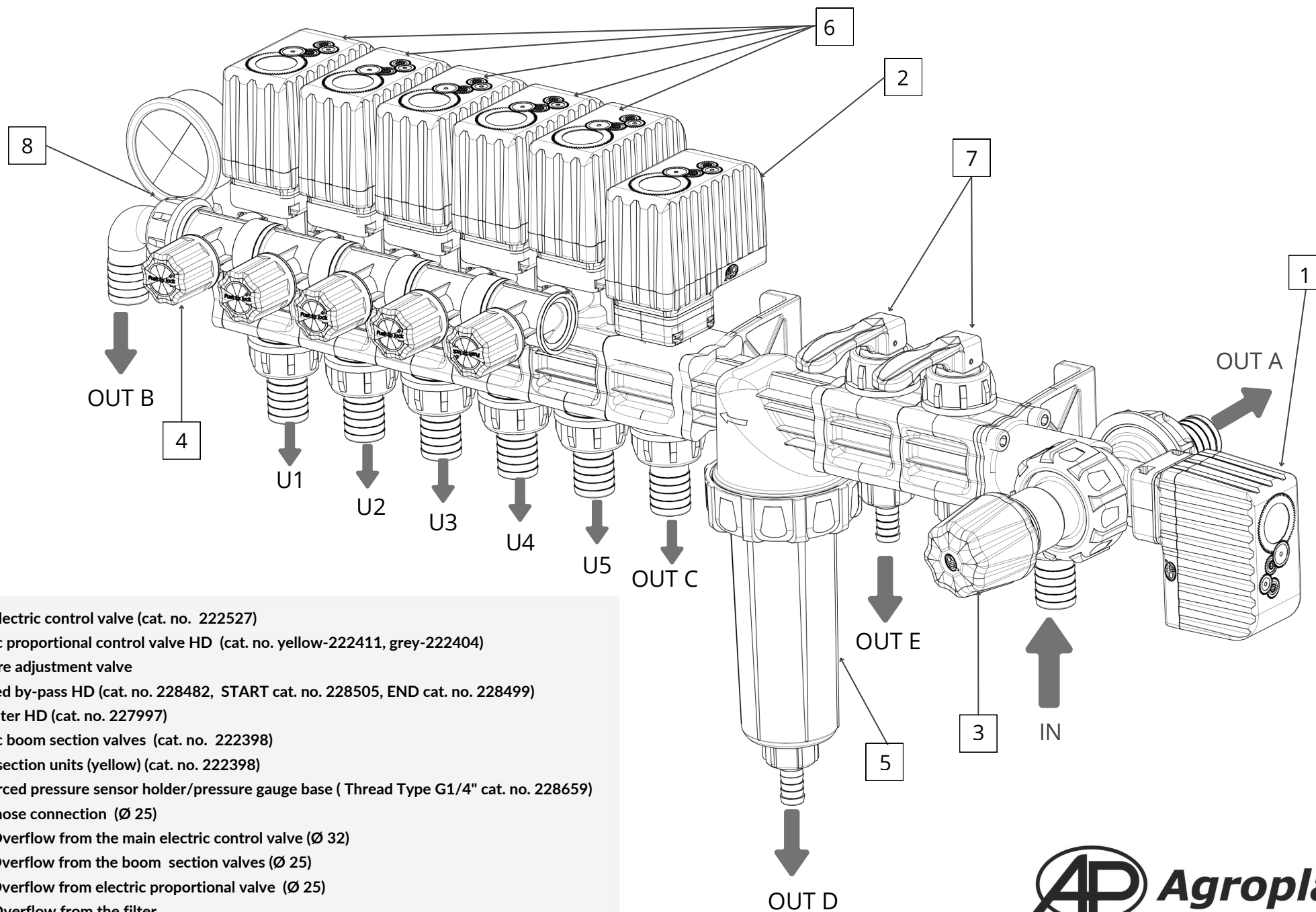


CONTROL UNIT HD WITH ELECTRIC VALVES



- 1 - Main electric control valve (cat. no. 222527)
- 2 - Electric proportional control valve HD (cat. no. yellow-222411, grey-222404)
- 3 - Pressure adjustment valve
- 4 - Metered by-pass HD (cat. no. 228482, START cat. no. 228505, END cat. no. 228499)
- 5 - Line Filter HD (cat. no. 227997)
- 6 - Electric boom section valves (cat. no. 222398)
- 7 - Boom section units (yellow) (cat. no. 222398)
- 8 - Reinforced pressure sensor holder/pressure gauge base (Thread Type G1/4" cat. no. 228659)
- IN - Inlet hose connection (Ø 25)
- OUT A - Overflow from the main electric control valve (Ø 32)
- OUT B - Overflow from the boom section valves (Ø 25)
- OUT C - Overflow from electric proportional valve (Ø 25)
- OUT D - Overflow from the filter
- OUT E - Overflow for liquid (depending on sprayer type - agitator or inductor)
- U1...U5 - Outlet to individual sections of the sprayer boom